

Altis Gen5

THORN

96684151 ALG5 GB LE 2100W 1.05A 550V 3CH RDMX

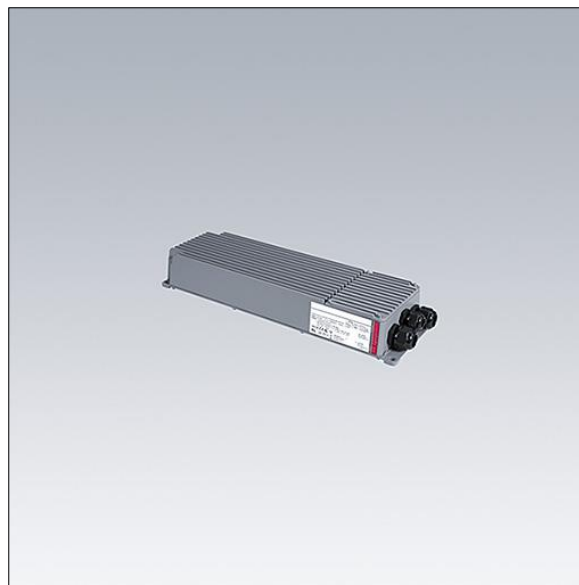
IP66	IK08				T _a 45	
------	------	---	---	---	-------------------	--

Altis Gen5

Class I, DMX RDM programmable gearbox, with 3 independent output channels and IP66 enclosure, for TV broadcasting applications. Suitable for dedicated 432 / 456 / 480 / 504 LED Altis floodlight, to be installed remotely up to 200m from the floodlight. Nominal input voltage: 200-440, output current 1050mA with DMX RDM configurable single-channel, IEEE 1789 flicker recommended practice compliant suitable for super slow motion camera filming, surge level 10kV for both common mode and differential.

Connection from mains via terminal blocks. Mains supply must be fused according to local safety regulations.

Weight: 5.8 kg.



TLG_ALG5_F_GB_LE_2100W.jpg



TLG_ALG5_M_GB_LE_2100W.wmf

I valori contrassegnati con l'asterisco (*) sono valori di misurazione. I valori si riferiscono a una temperatura ambiente di 25°C salvo diversa specifica.

I prodotti Thorn Lighting sono soggetti a continui sviluppi. Ci riserviamo la facoltà di apportare modifiche tecniche o formali ai nostri prodotti senza ulteriori pubblicazioni.

© Thorn Lighting