

**UK** Installation Instructions  
**DE** Montageanleitung  
**CZ** Montážní návod  
**DK** Monteringsvejledning  
**EE** Paigaldusjuhend

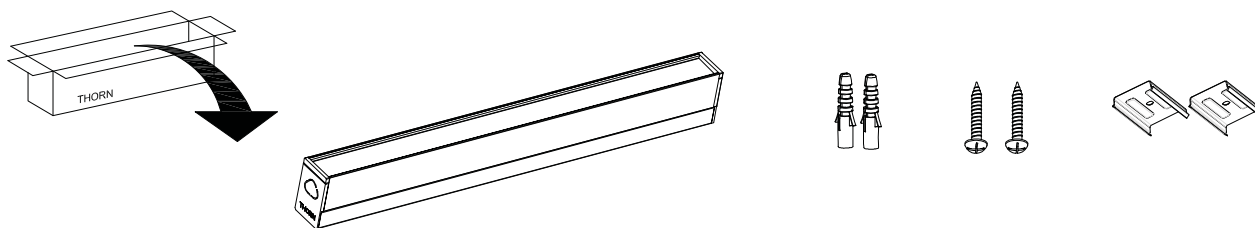
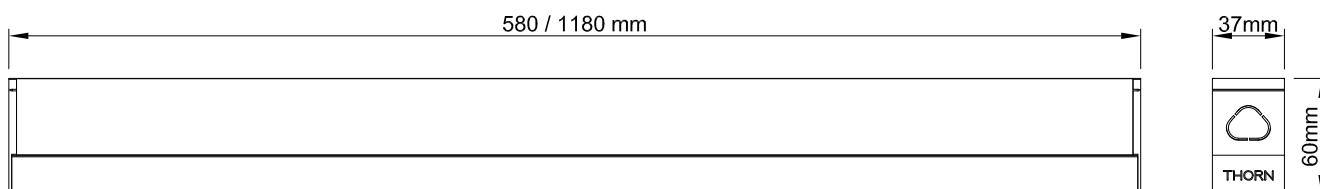
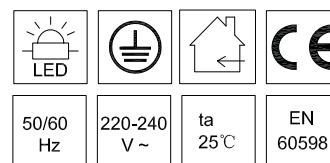
**FI** Asennusohje  
**FR** Notice de montage  
**HU** Szerelési útmutató  
**IT** Istruzioni di montaggio  
**LT** Montavimo Instrukcijos

**LV** Instalācijas instrukcija  
**NO** Monteringsanvisning  
**PL** Instrukcja montażu  
**SE** Installationsanvisnin  
**RU** Инструкция по монтажу

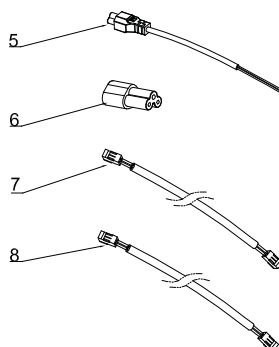
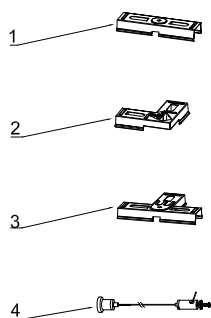


1. Installation and commissioning may only be carried out by authorized specialists and wired in accordance with the latest IEE electrical regulations or the national standards.
2. Mains power must be switched off before carrying out installation.
3. Light source can't be replaced.
4. The manufacturer, shall not be liable for any damage resulting from inappropriate modifications to the luminaire or faulty installation.
5. Indoor use only.

Product Description	Wattage	Max. number linkable
EQUAMINI L580 LED950-830	9W	40pcs
EQUAMINI L580 LED1900-830 HFA	19W	20pcs
EQUAMINI L580 LED1900-830 HFX	19W	20pcs
EQUAMINI L1180 LED1900-830	18W	20pcs
EQUAMINI L1180 LED3800-830 HFA	37W	10pcs
EQUAMINI L1180 LED3800-830 HFX	37W	10pcs
EQUAMINI L580 LED1050-840	9W	40pcs
EQUAMINI L580 LED2100-840 HFA	19W	20pcs
EQUAMINI L580 LED2100-840 HFX	19W	20pcs
EQUAMINI L1180 LED2100-840	18W	20pcs
EQUAMINI L1180 LED4200-840 HFA	37W	10pcs
EQUAMINI L1180 LED4200-840 HFX	37W	10pcs

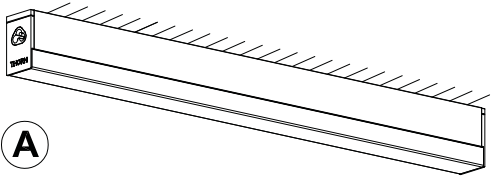


### Accessories (need to be ordered separately)

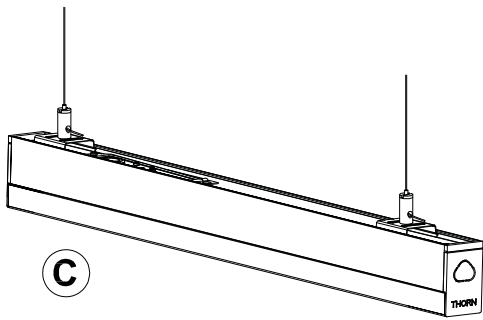


1	EQUAMINI I BRACKET	22660831
2	EQUAMINI L BRACKET	22660840
3	EQUAMINI T BRACKET	22660832
4	EQUAMINI SUSPENSION KIT PAIR 1500	22661235
5	EQUAMINI SIDE FEED IN CABLE 300MM	22660826
6	EQUAMINI ELECTRICAL CONNECTOR	22660825
7	EQUAMINI 1-10V DIM CONNECT CABLE 600	22660827
8	EQUAMINI 1-10V DIM CONNECT CABLE 1200	22660828

# Installation options



**A**



**C**

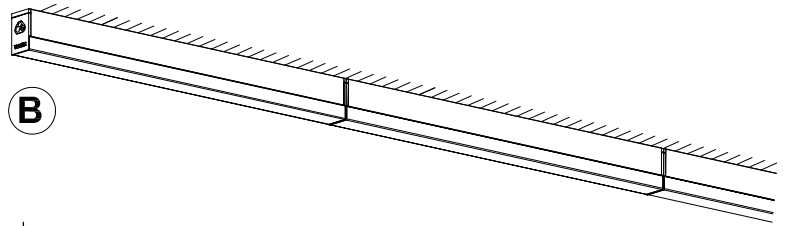
EquaLine Mini  
back mains feed in

22660826

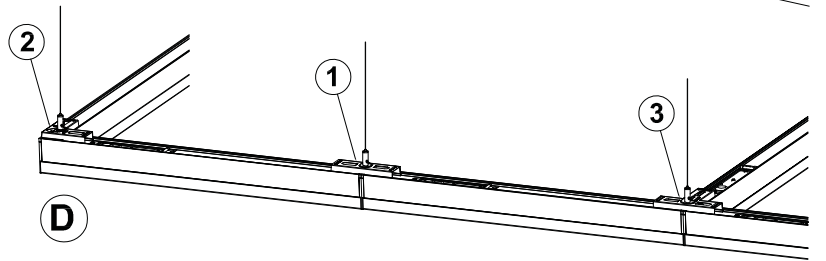
EquaLine Mini  
side mains feed in

22660825

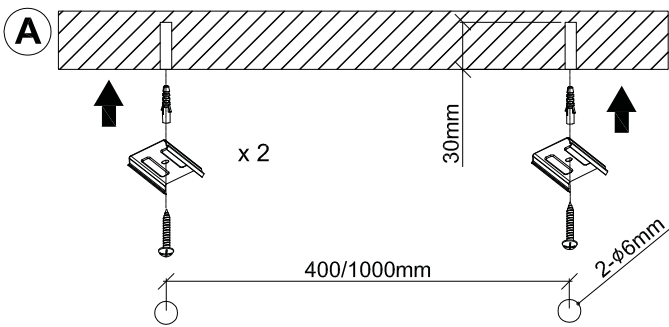
EquaLine Mini  
side mains feed in



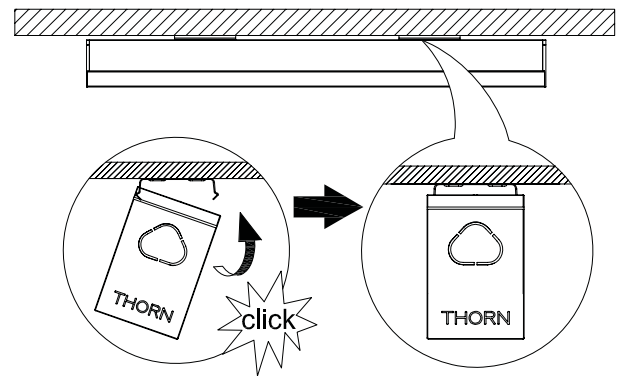
**B**



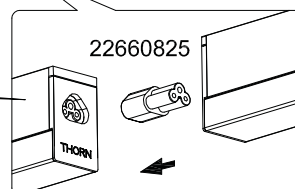
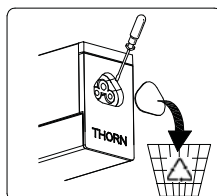
**D**

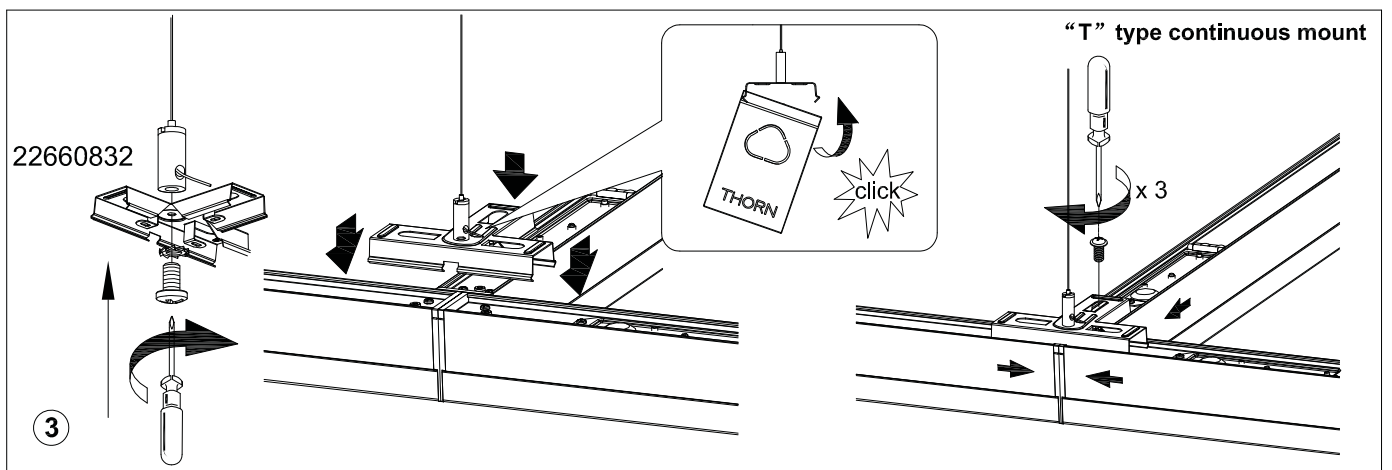
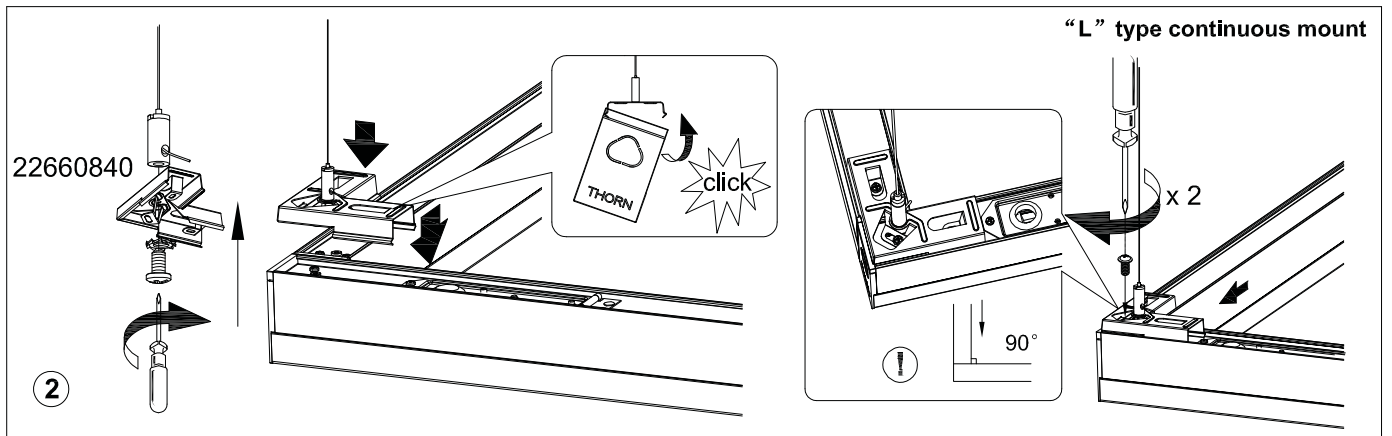
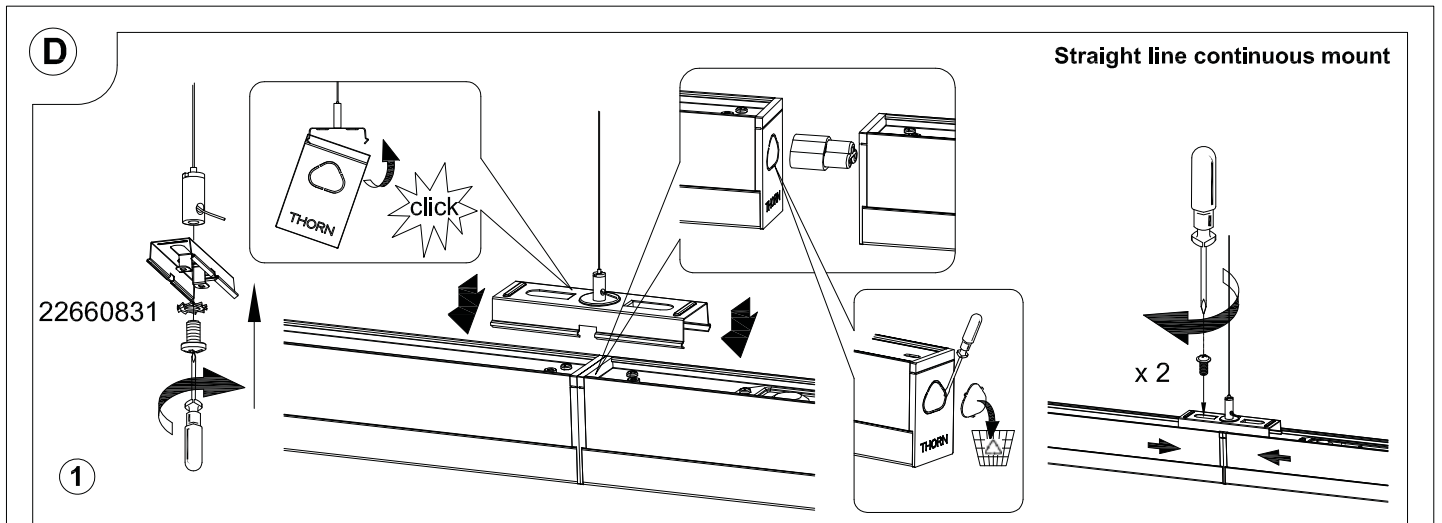
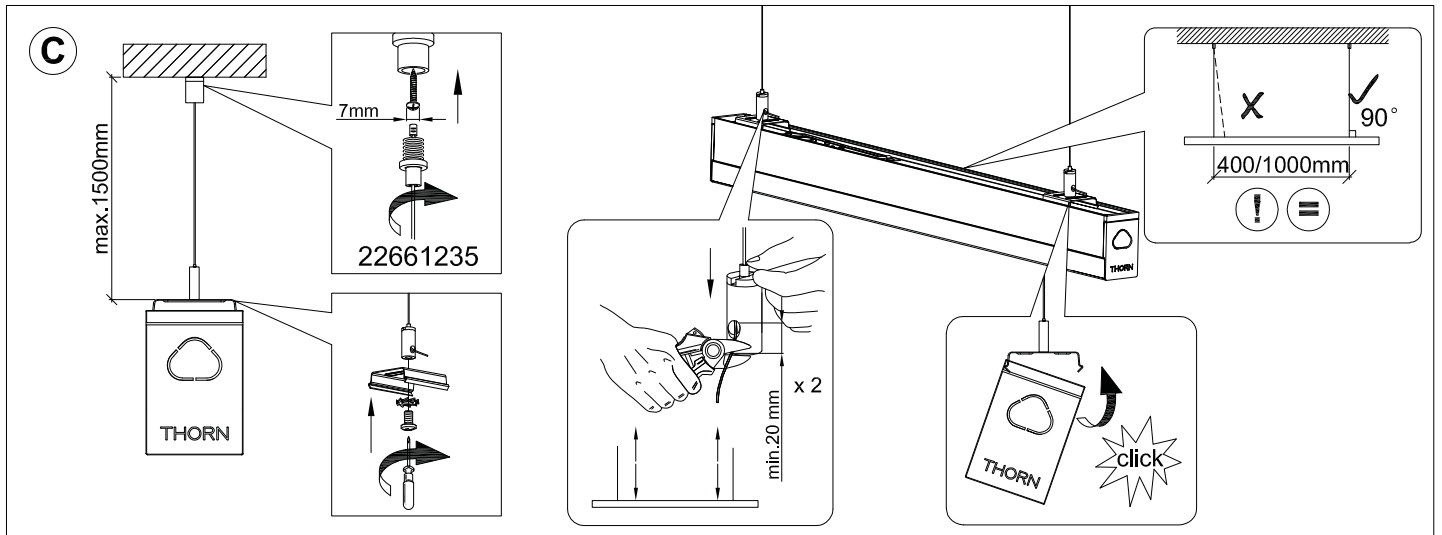


**!** Choose the correct screws and wall-plugs!



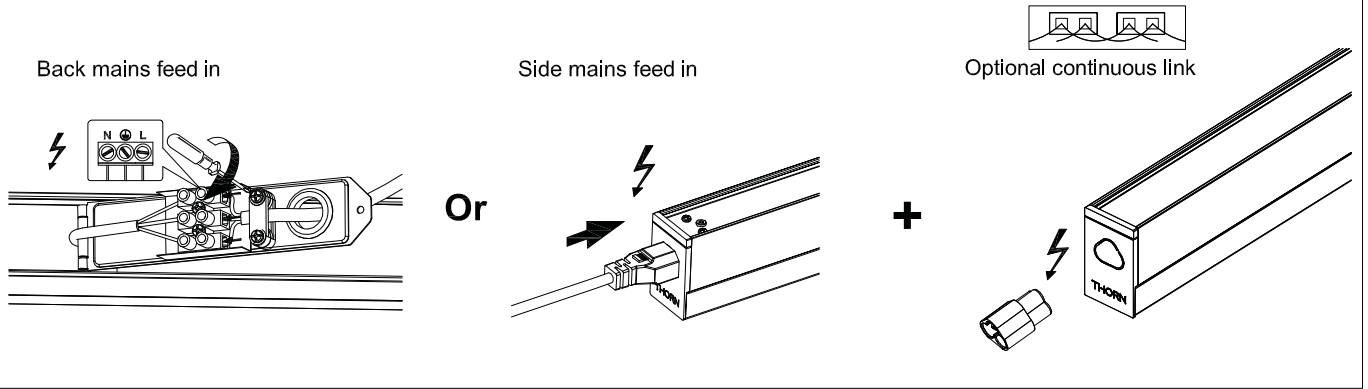
**B**



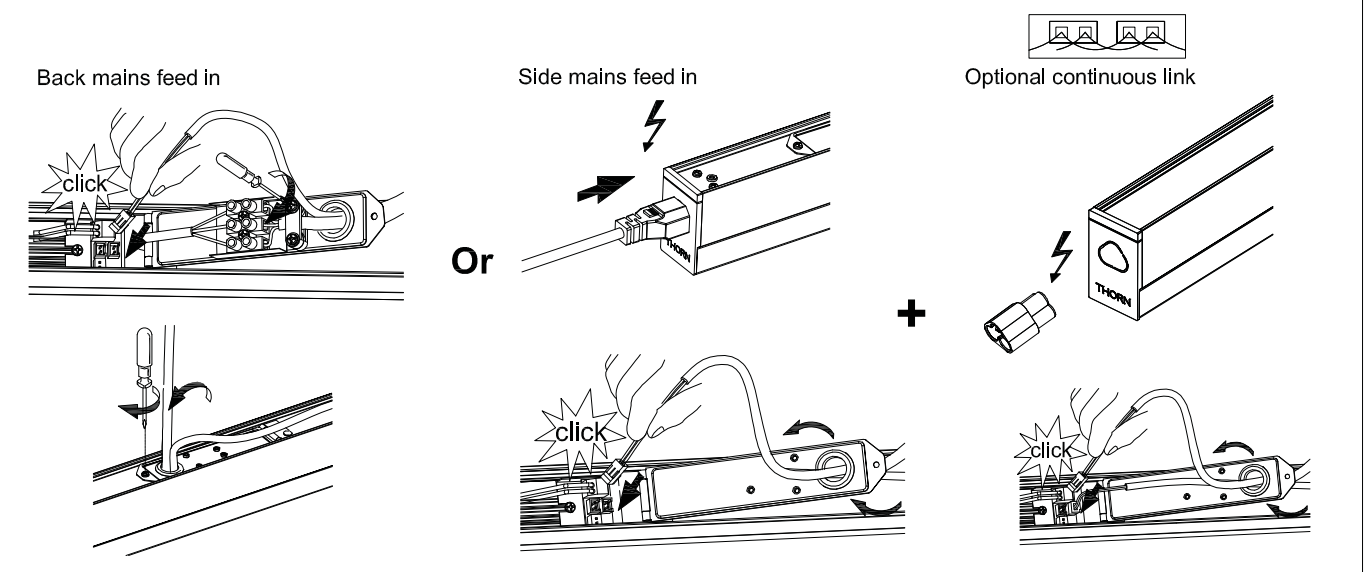


## Electrical connections

### ① On/off version wiring



### ② 1-10V dimming version wiring



### ③ DALI dimming version wiring

